

8

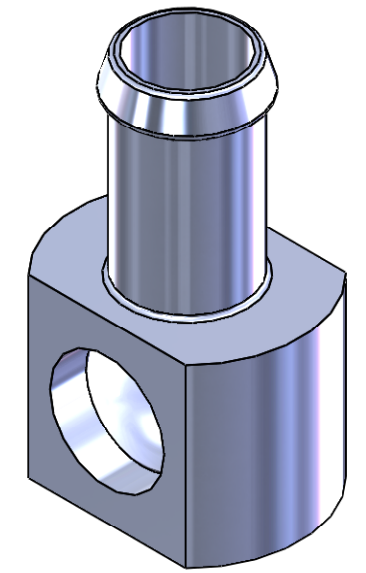
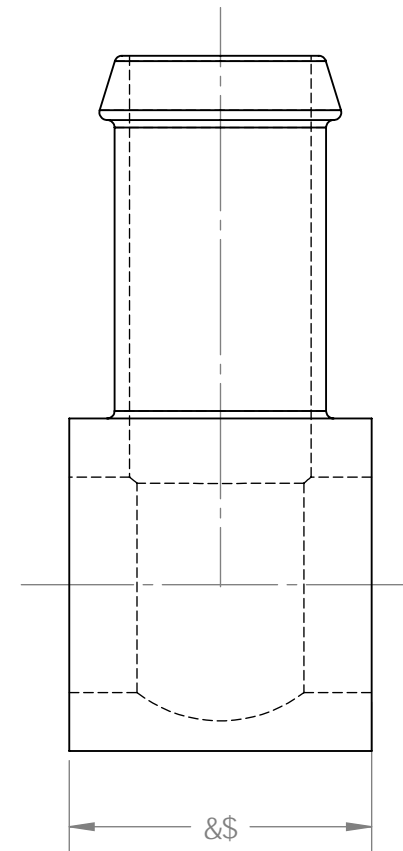
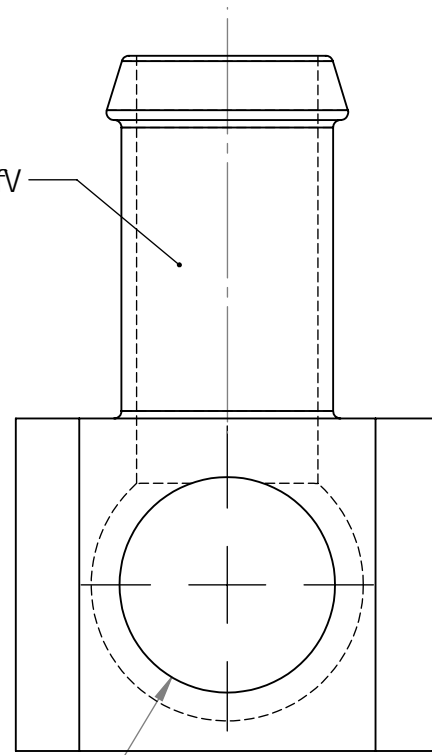
7

6

5

Ø% a a 'l' & (a a '6UfV

Ø% ("&)



8

7

6

5

<p>Third angle</p>	<p>I B @GGC H: 9FK @9 QD97 ±.98.</p> <p>8 A 9B GC BG5F9 B B7 <9G</p> <p>HC @F5B7 9G</p> <p>: F57 HC B5 @±</p> <p>5B: I @5F: A 57 <±.....69B8 ±</p> <p>HK C D@57 9897 A 5@±</p> <p>H: F99D@57 9897 A 5@±</p>	B5A 9	85H9	<p>NORTHERN POWER PRODUCTS, INC.</p>
	<p>8F5K B</p> <p>7 <97 ?98</p> <p>9B: '5DDF"</p> <p>A: ; '5DDF"</p>	8 >	' #&&#%\$	
<p>DFC DF: 5FM5B87 CB: 89B H5@</p> <p>H: 9 B: CFA 5HC B 7 C B H5 B 98 B H: G</p> <p>8F5K B: :GH: 9GC @DFC D9F HMC:</p> <p>BC FH: 9FB DC K 9F DFC 81 7 HZ B7"</p> <p>5B MF9DFC 81 7 HC B B D5FHCF 5G5"</p> <p>K <C @K H: C I H H: 9K F H9B D9FA GGC B</p> <p>C: BC FH: 9FB DC K 9F DFC 81 7 HZ B7"</p> <p>GDFC <6+98"</p>	<p>B H F D F9H: 9C A 9F 7</p> <p>HC @F5B7 B: D9F.</p> <p>A 5H F 5@</p> <p>G U j Y g g G h Y "</p> <p>: B G:</p> <p>B c b Y</p>	E "5"	7 C A A 9BHG	<p>H H @9. A % 'l' % # & " ' 6U b c ' 6U f V</p> <p>G A 9 8K ; " " BC "</p> <p>6 <K \$\$\$ \$ @</p> <p>F 9J 5</p>
<p>5DD@7 5HC B</p>	<p>8C B CHG7 5 @8F5K B:</p>	G7 5 @9. & %	K 9 ± <H'	G <99H % C : %