

8

7

6

5

4

3

2

1

D

D

C

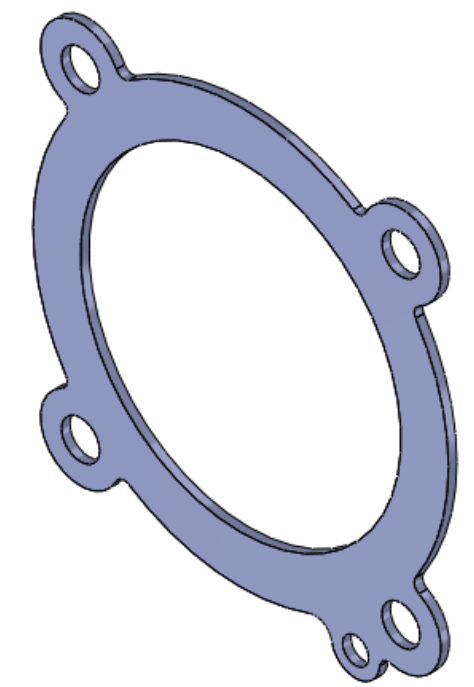
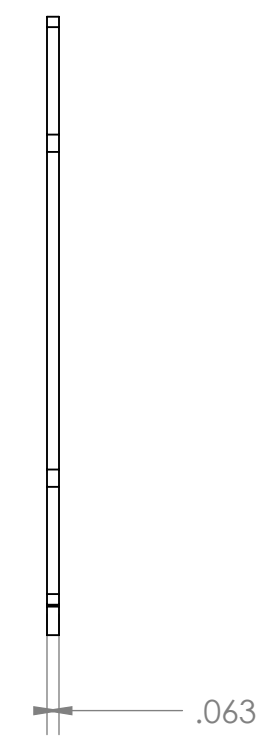
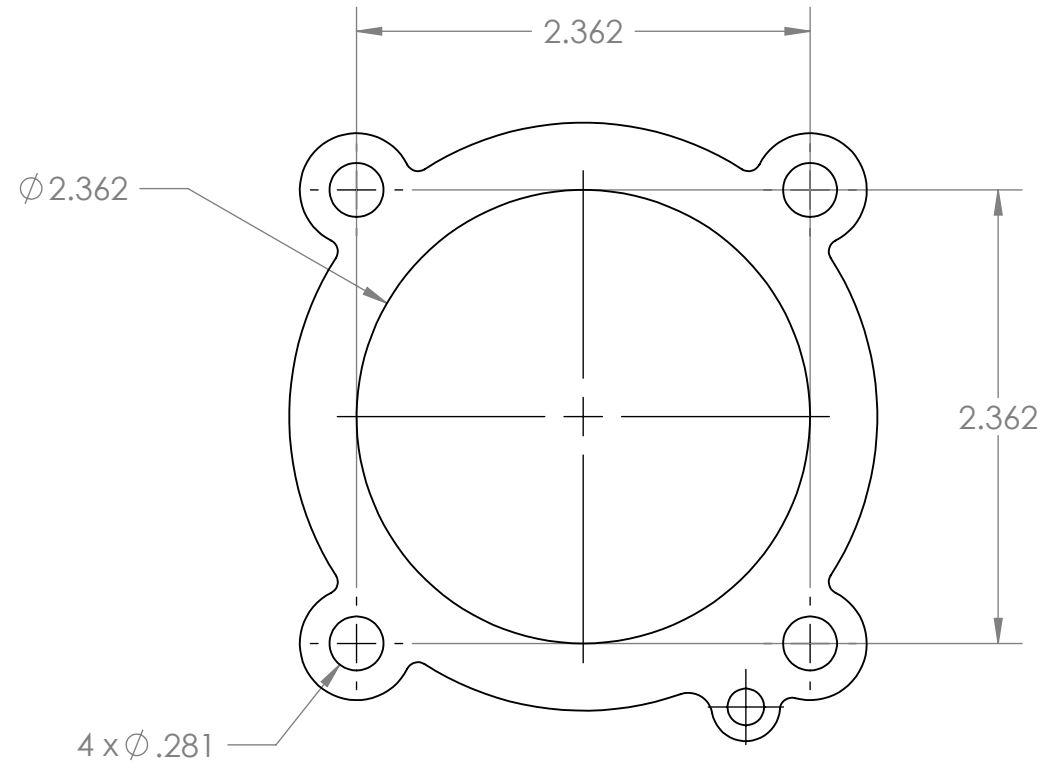
C

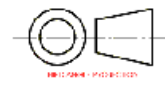
B

B

A

A



 <p>PROPRIETARY AND CONFIDENTIAL THE INFORMATION CONTAINED IN THIS DRAWING IS THE SOLE PROPERTY OF NORTHERN POWER PRODUCTS, INC. ANY REPRODUCTION IN PART OR AS A WHOLE WITHOUT WRITTEN PERMISSION IS PROHIBITED.</p>	UNLESS OTHERWISE SPECIFIED: DIMENSIONS ARE IN INCHES	DRAWN BY: DJ	TITLE: BOSCH 60MM THROTTLE GASKET	
	MATERIAL Paper	DATE: 12/30/09	SIZE B	DWG. NO. GA00001
	FINISH	COMMENTS:	REV A	SCALE: 1:1
	DO NOT SCALE DRAWING	APPLICATION:	SHEET 1 OF 1	

**NORTHERN
POWER
PRODUCTS, INC.**

8

7

6

5

4

3

2

1