

D

C

B

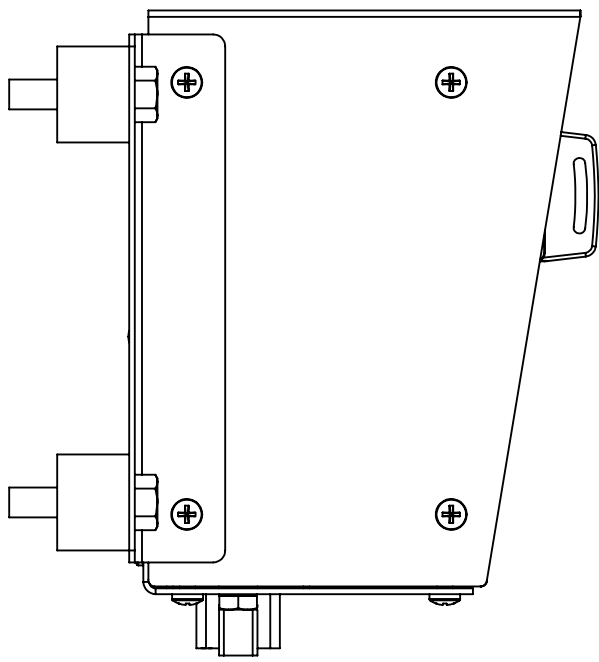
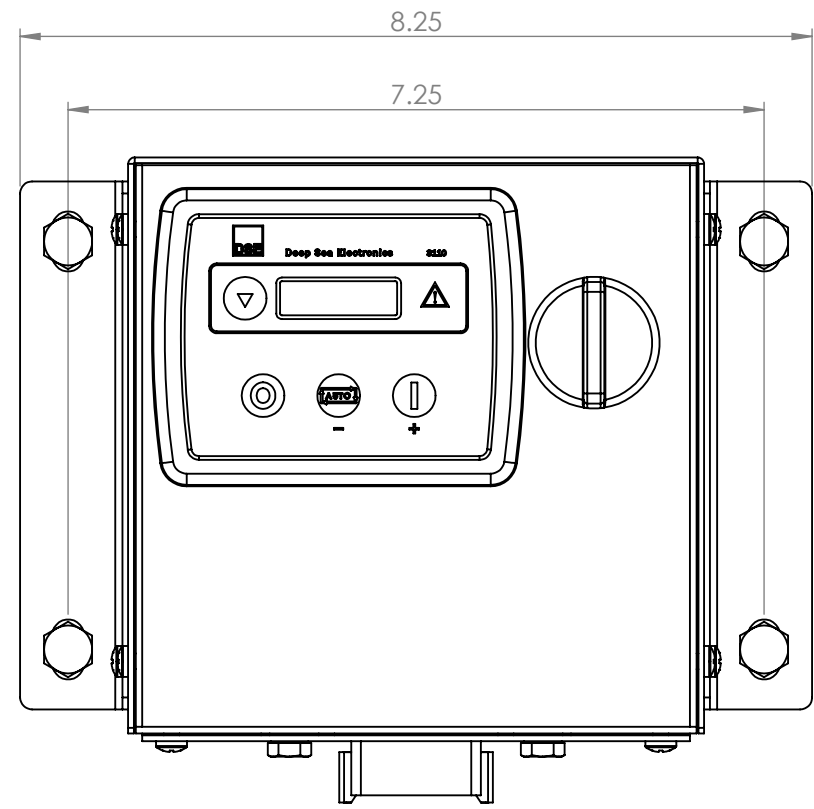
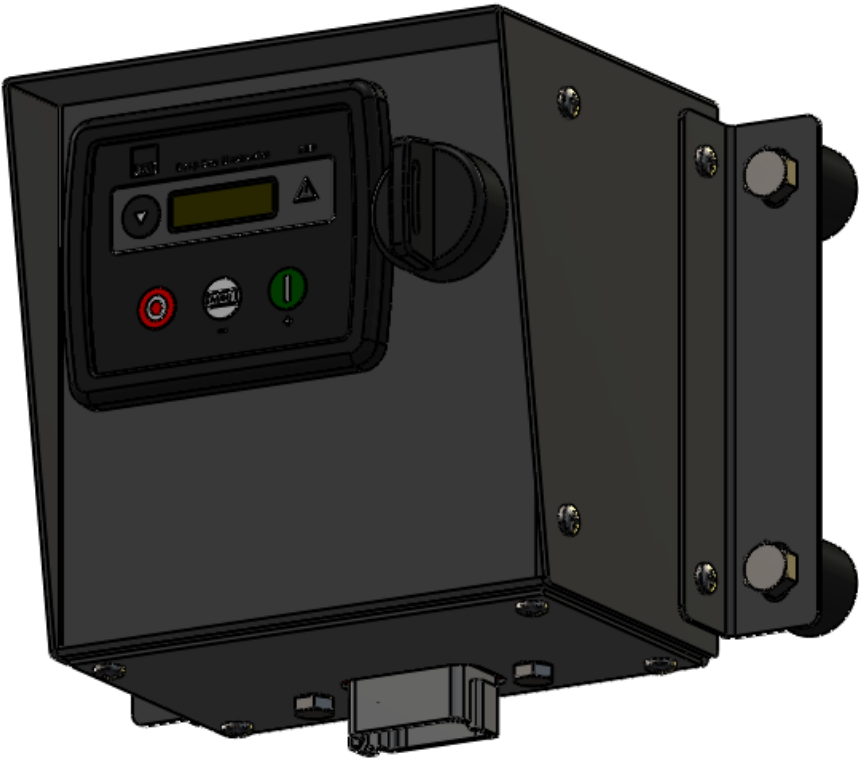
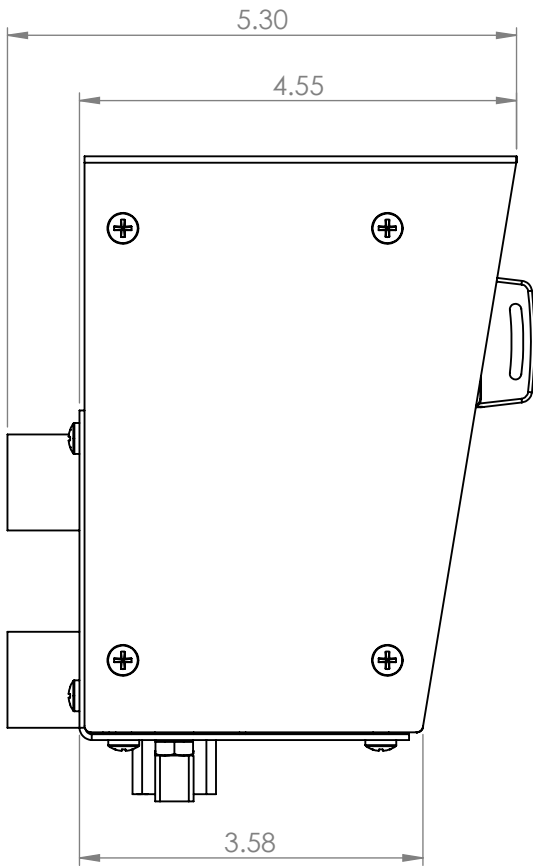
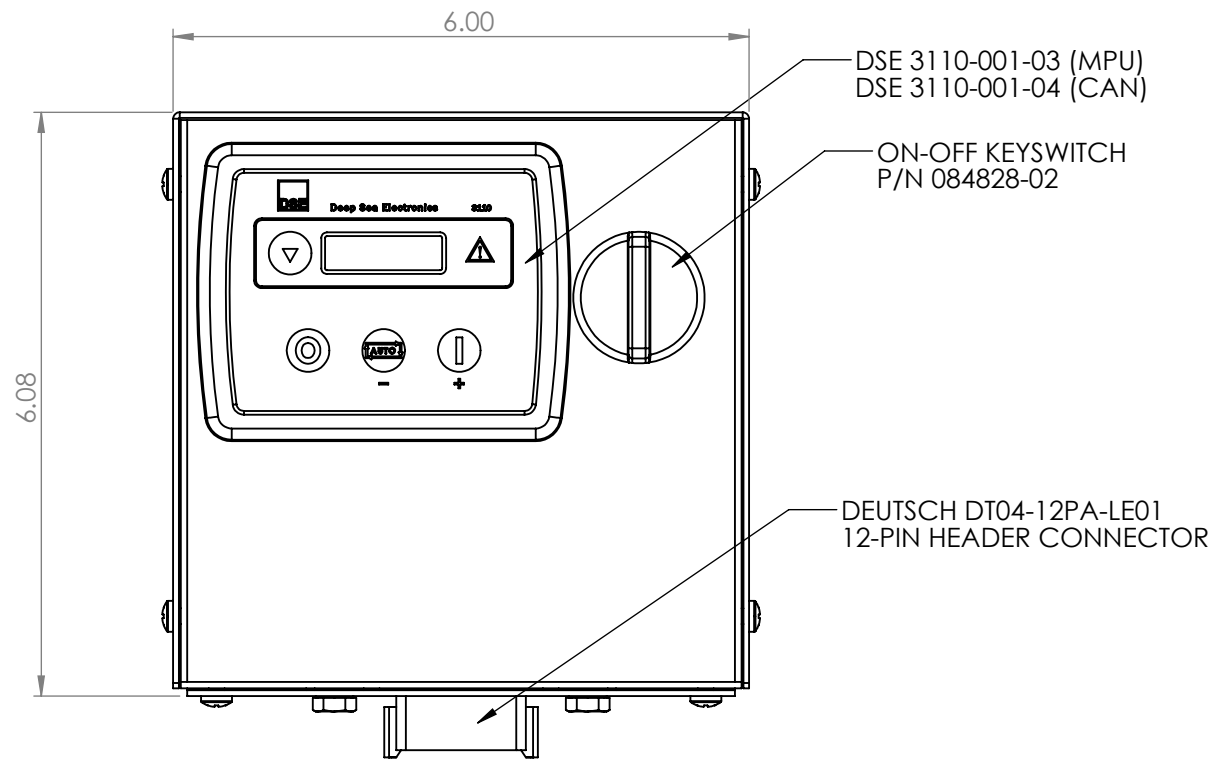
A

D

C

B

A



SPECIFICATIONS:

DEEP SEA ELECTRONICS 3110 MODULE - MAGNETIC PU OR j1939 INPUT
 CONFIGURED FOR MANUAL OR AUTO START
 ON-OFF POWER KEYSWITCH WITH PROTECTIVE BOOT
 BLACK TEXTURED POWDERCOATED 16 GA. ENCLOSURE
 12-PIN WIRING HARNESS CONNECTOR
 REVERSIBLE BOTTOM PLATE FOR ENGINE HARNESS CONNECTION FLEXIBILITY
 VIBRATION ISOLATORS
 SIDE FLANGES AVAILABLE FOR ALTERNATIVE MOUNTING

ALTERNATIVE MOUNTING CONFIGURATION: ASSY P/N **CT31102**

PROPRIETARY AND CONFIDENTIAL
 THE INFORMATION CONTAINED IN THIS DRAWING IS THE SOLE PROPERTY OF NORTHERN POWER PRODUCTS. ANY REPRODUCTION IN PART OR AS A WHOLE WITHOUT THE WRITTEN PERMISSION OF NORTHERN POWER PRODUCTS IS PROHIBITED.

UNLESS OTHERWISE SPECIFIED:		NAME	DATE
DIMENSIONS ARE IN INCHES	DRAWN	DJN	12/19/08
TOLERANCES:	CHECKED		
FRACTIONAL ±	ENG APPR.		
ANGULAR: MACH ± BEND ±	MFG APPR.		
TWO PLACE DECIMAL ±	Q.A.		
THREE PLACE DECIMAL ±	COMMENTS:		
INTERPRET GEOMETRIC TOLERANCING PER:			
MATERIAL			
FINISH			
DO NOT SCALE DRAWING			



TITLE: **DEEP SEA 3110 CTRL BOX ASSY**

SIZE	DWG. NO.	REV
B	CT31101/CT31102	
SCALE: 1:2	WEIGHT:	SHEET 1 OF 1