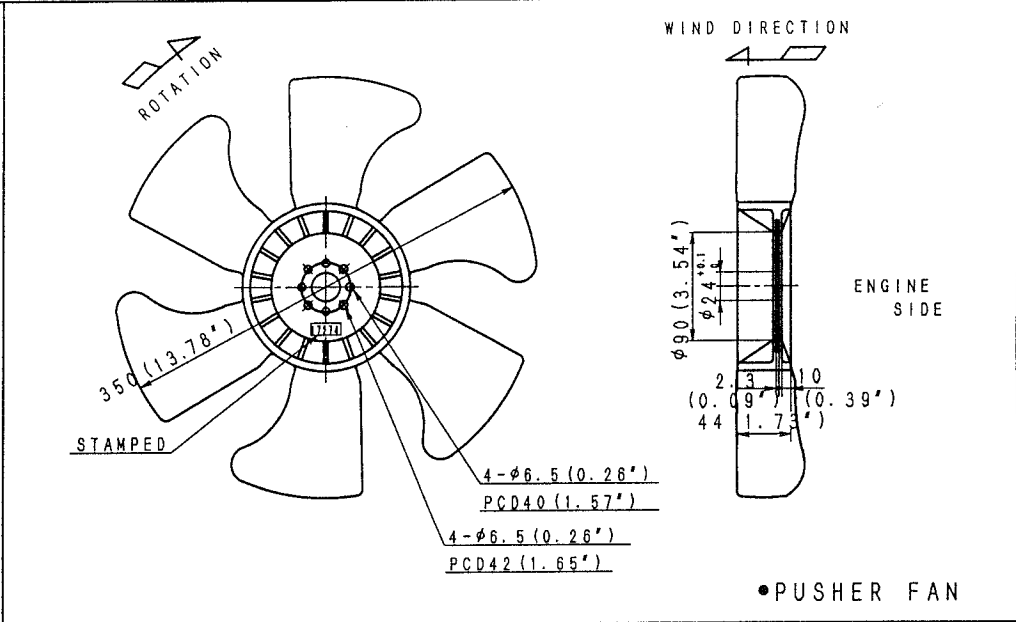
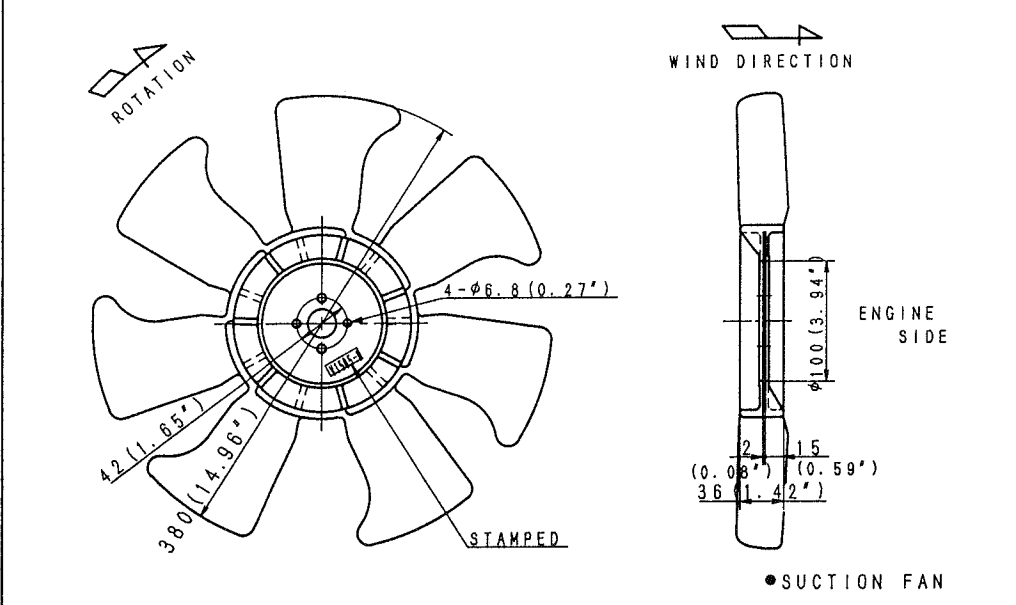


<b>G-8</b>
PART NO.
<b>17274-74112</b>
KIT SERIAL NO.
<b>239</b>
KIT NO.
<b>16279-74012</b>



<b>G-9</b>
PART NO.
<b>16292-74111</b>
KIT SERIAL NO.
_____
KIT NO.
_____



<b>G-10</b>
PART NO.
<b>16241-74112</b>
KIT SERIAL NO.
_____
KIT NO.
_____

